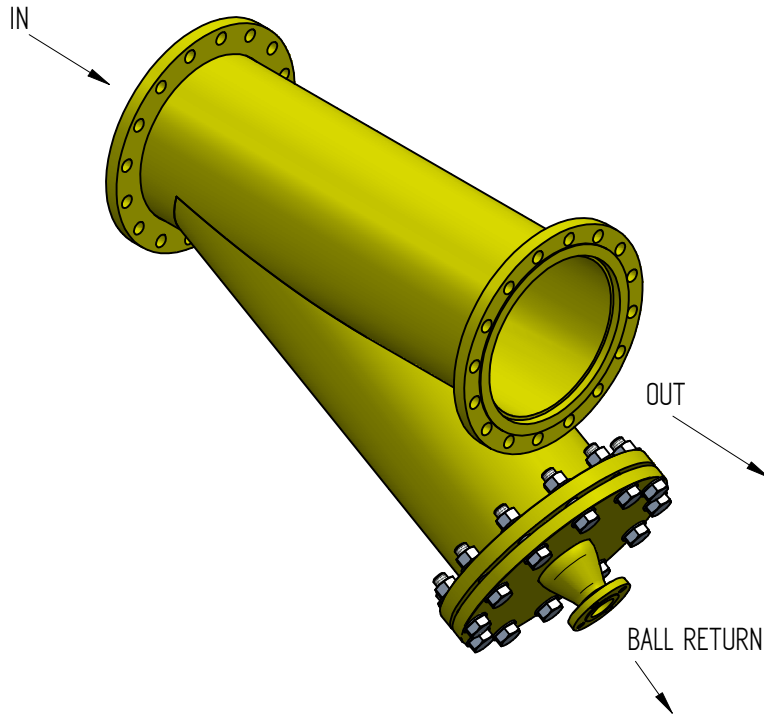
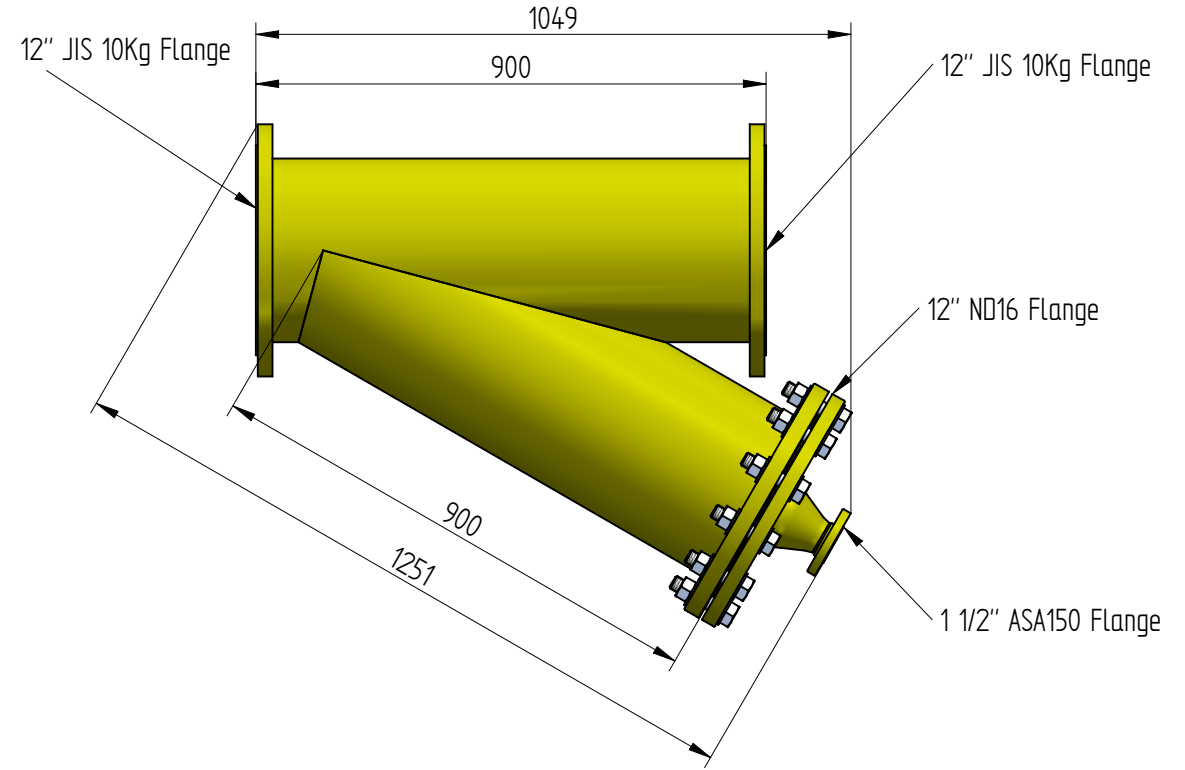
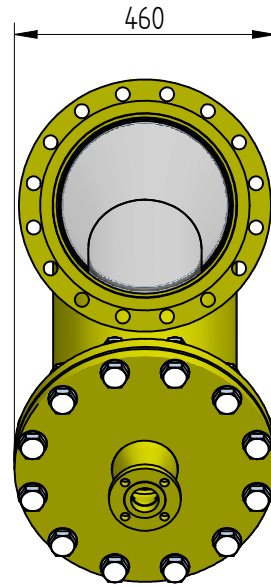


\* FOR BIDDING PURPOSE ONLY \*



Linear Tolerance: ± 0.3		Name		Date			
.X ± 0.2	.XX ± 0.02	Drawn	igor	02/05/2011			
Angle Tolerance: ± 1/2°		Checked		02/05/2011		12" SI	
Surface Roughness: 63		EMPTY WEIGHT Kg		173 Kg		Title:	
Blunt Sharp Edges: 0.1, 0.3		WORKING WEIGHT kg		289 Kg		12" Smart In-Line Ball Trap JIS 10Kg Flanges	
FIRST ANGLE PROJECTION		Scale:		Size: A2		Draft no. : 201007-662-1	
All Dimensions Before Coating		UNLESS OTHERWISE SPECIFIED ALL DIMENSIONS ARE IN MILLIMETERS		100-662		Rev: 1	
				מק"ט פריט: 100-662		Sheet: 1 Sheets: 1	