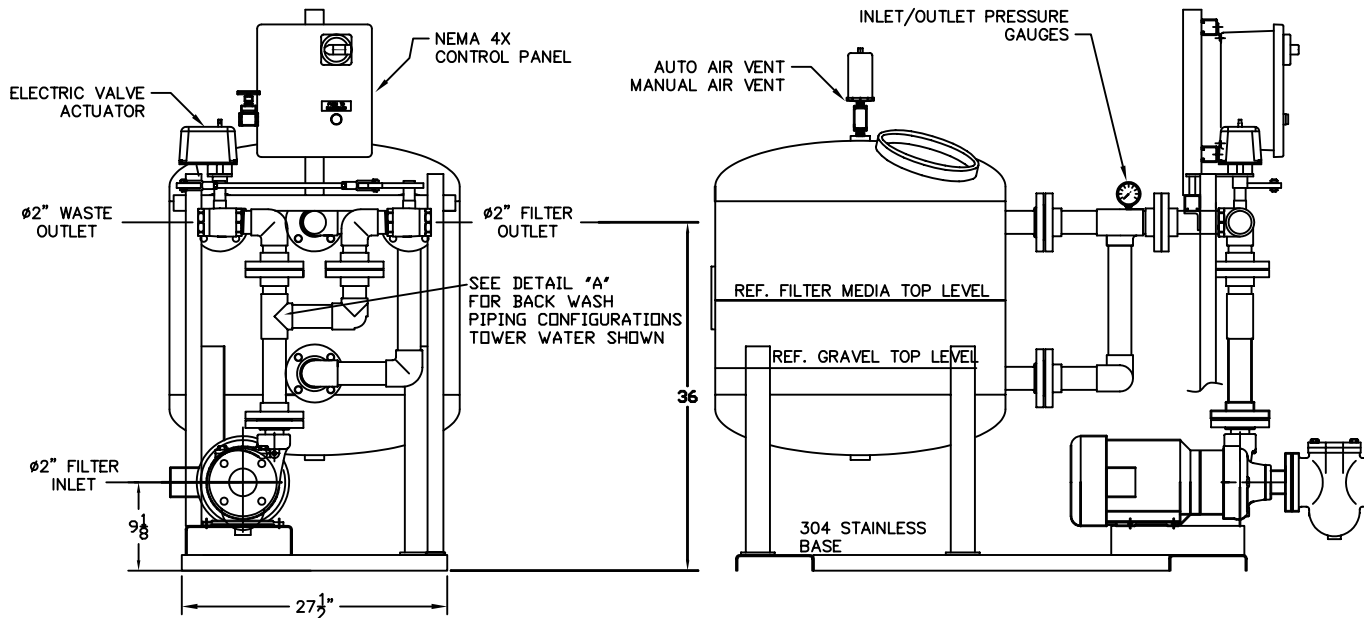
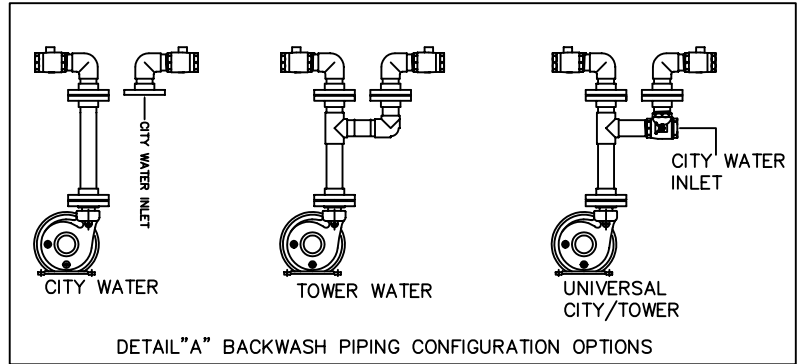
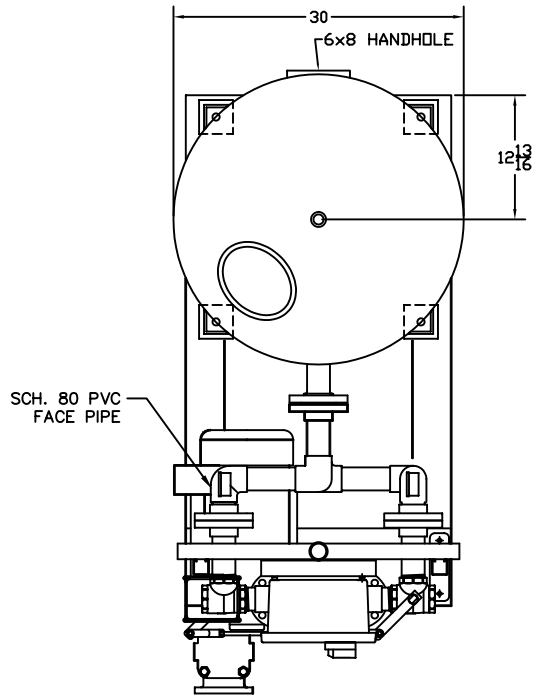


DIMENSIONS SUBJECT TO CHANGE
FOR GENERAL ARRANGEMENT DESIGN
ONLY. NOT INTENDED FOR CONSTRUCTION



NOTES

- MAXIMUM FILTER FLOW RATE:
18": 35 GPM
24": 63 GPM
30": 98 GPM
- BACKWASH FLOW RATE RANGE:
18": 25-35 GPM
24": 53-63 GPM
30": 85-98GPM
- MAX. WORKING PRESSURE:
TANK MATERIAL: STAINLESS STEEL: 100 psig
- MEDIA LOADING (10 MICRON):
18": 1) UNIGRAN 475: 1 CU. FT. (2 PAILS)
2) UNIGRAN 85: 1 CU. FT. (2 PAILS)
24": 1) UNIGRAN 475: 1.5 CU. FT. (3 PAILS)
2) UNIGRAN 85: 2 CU. FT. (4 PAILS)
30": 1) UNIGRAN 475: 3 CU. FT. (6 PAILS)
2) UNIGRAN 85: 3.5 CU. FT. (6 PAILS)

	"A"
18"	55"
24"	55"
30"	58"

NO.	REVISION	DATE	BY
PROJECT	~		
ENGINEER	~		
PEP REP	~		

pep FILTERS process efficiency products
322 ROLLING HILL RD • MOORESVILLE, N.C. 28117
(704) 662-3133 FAX (704) 662-3155

PROPRIETARY: NEITHER THE DRAWING NOR INFORMATION CONTAINED HEREIN MAY BE COPIED, REPRODUCED OR OTHERWISE USED WITHOUT WRITTEN PERMISSION FROM PROCESS EFFICIENCY PRODUCTS, INC.

SALES ORDER NO.	TITLE:
	HMF2-2 MASTER FAMILY DRAWING 18", 24" AND 30" SS VESSELS

DRAWN BY: JAM	SCALE: None	REV. NO. Δ
CHECKED BY:	DATE: 07/23/03	
PO NO.:	DWG NO.: HMF2-3-FAMILY	SHT. 1 of 1