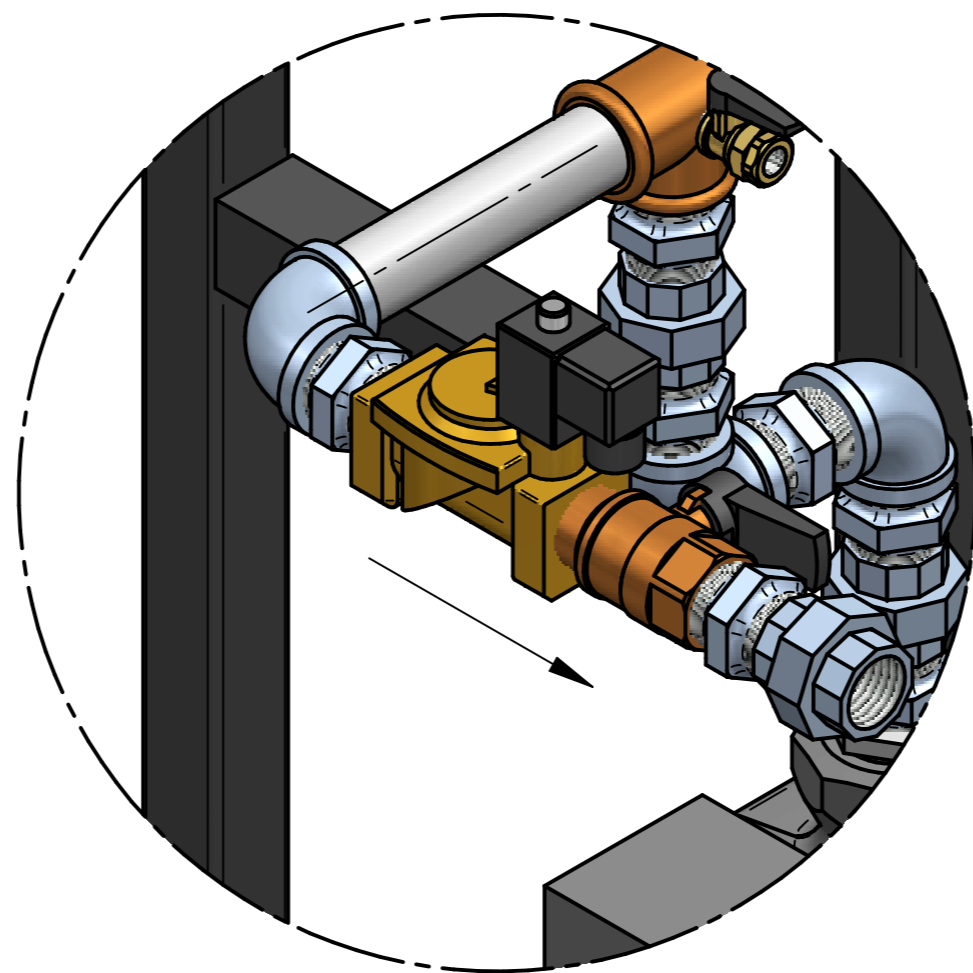
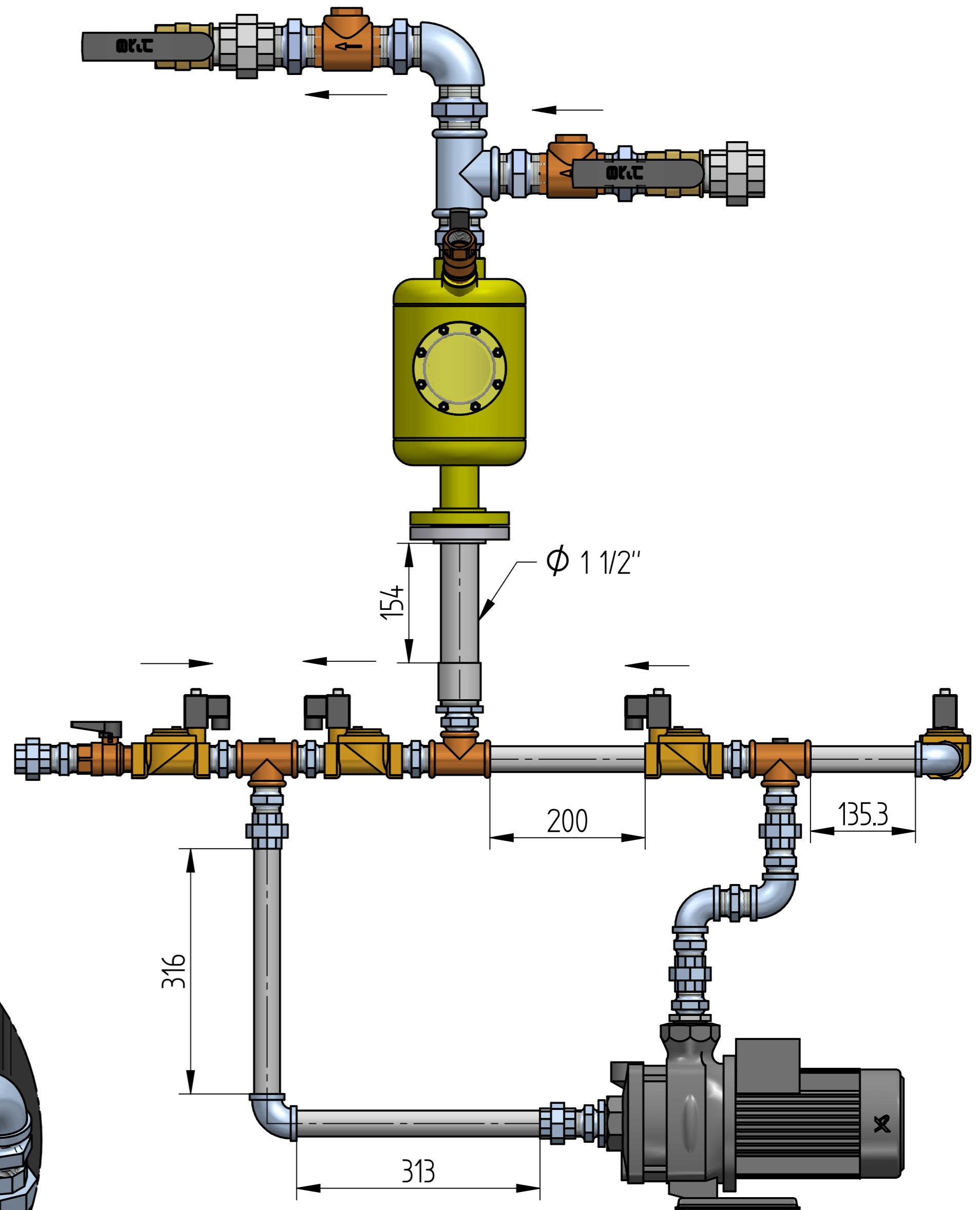


GRUNDFOS 8-40



DETAIL A



Linear Tolerance: ± 0.3		Name		Date	
.X	± 0.2	Drawn	sergey	28/03/2011	
.XX	± 0.02	Checked	moti	28/03/2011	
Angle Tolerance: ± 1/2°		EMPTY WEIGHT Kg		130 Kg	
Surface Roughness: 63		WORKING WEIGHT Kg		-	
Blunt Sharp Edges: 0.1, 0.3		Scale:		Size: A2	
FIRST ANGLE PROJECTION		Draft no.:		2011008-002-1	
		Title:		stand for one collector	
All Dimensions Befor Coating		Rev:		4	
UNLESS OTHERWISE SPECIFIED ALL DIMENSIONS ARE IN MILLIMETERS		Sheet:		1	



System: Skid

Sheet: 1 Sheets: 1